

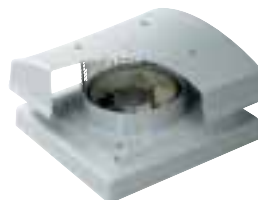
**SKYFLOW**  
SSF



Roof Mounted **Axial Fans**

# Skyflow SSF

## Features & Benefits



The Skyflow SSF is a lightweight range of horizontal discharge roof extract units which balance the need to satisfy architects' modern day building needs against a low silhouette design. The Skyflow is UV stabilised for a durable, long lasting product, which delivers exceptional performance and noise characteristics.

- 10 standard sizes from 250mm to 800mm.
- Air volume flow rates of up to 4.7 m<sup>3</sup>/sec.
- Static pressures of up to 200 Pa.
- UV stabilized GRP cowl finished in goose wing grey.
- Supplied with fan or cowl only.
- Low silhouette design, aesthetic appearance.
- Highly efficient, lightweight induction motors.
- Suitable for operating temperatures of 50° C with speed controllers and 70° C Fixed speed.
- Motors protected to IP55 with Class F insulation.
- Fully speed controllable.
- Thermal overload protection.
- Suitable for curb or purlin mounting.
- Impellers are highly efficient aerofoil bladed section, produced from GRP, retained in an aluminium hub and balanced to Grade G6.3.
- Extensive stock range available.
- Optional colours available.

### Features & Benefits

**Material Strength** – A robust and durable unit with the top cowl and fan support housing in UV stabilised GRP to provide a longer life, whilst the inlet guards are zinc plated and the fan plate and motor are powder coated epoxy paint finish.

**Flexibility** - The SSF can be supplied in kit form, with the cowl supplied separately to the fan, which means transportation to the installation site is made easier.

**Time saving** - Drop in silencers can be supplied which reduces installation time by fitting the silencers into the roof space rather than the ductwork – Less labour, less time and cost.

**Mounting** – SSF units are designed to be suitable for either curb or purlin mounting and can be mounted on flat or inclined roofs with a maximum pitch angle of 35°.

**Quality impellers** – Adjustable pitch aerodynamic impellers are provided with blades made from high quality GRP and factory set at an angle to maximize performance.

**Easier maintenance** - Lightweight and easily accessible at roof level, this simplifies cleaning and maintenance.

**Design appeal** – Roof units are supplied as standard in goose wing grey, with the option of any other RAL colour to comply with the overall design, profile and colour scheme for a building.

**Reliability** – Motors have sealed for life bearings.

**Cost effective** – The optional non return damper enables reductions in heat loss from the building when the SSF is not operating.

**Motor protection** – All SSF units have integral thermal overload protection which prevents the motor from overheating.

**Ease of wiring** – The electrical connection to the motor is made by an IP55 terminal box fitted to a 550mm flying lead from the units inlet side.

**Tested to the very latest standards** – SSF units are tested to ISO 5801:1997 (airside performance) and to BS 848 Pt 2:1985 (sound performance) at Elta Fans own test facility, meaning accurate, up to date information on performance and noise data that can be relied upon.

**Quality assurance** – All units are designed and manufactured with procedures as defined in BS EN ISO 9001: 2000.

**Warranty** – Each SSF Skyflow has a 12 month warranty.

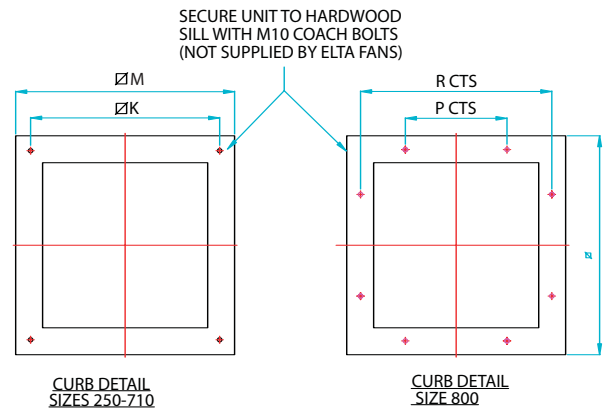
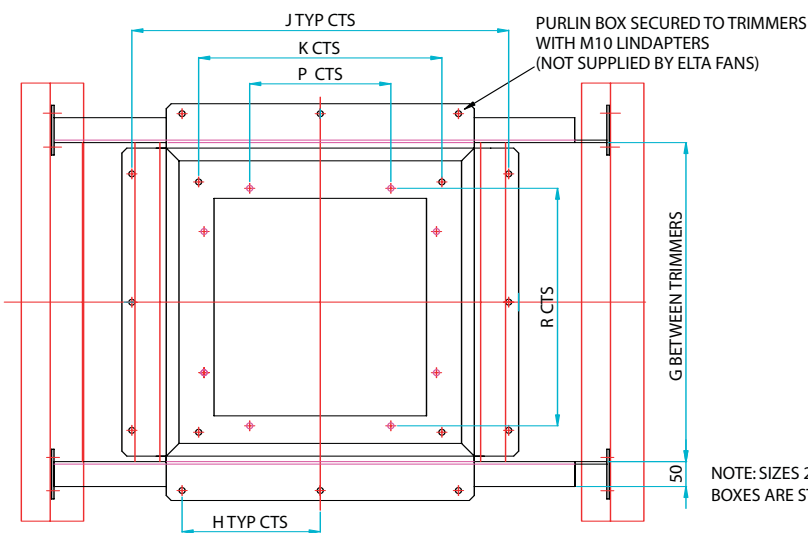
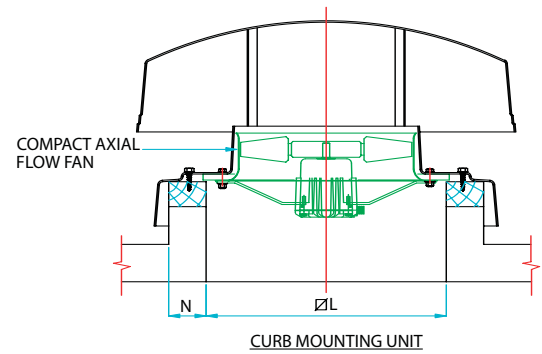
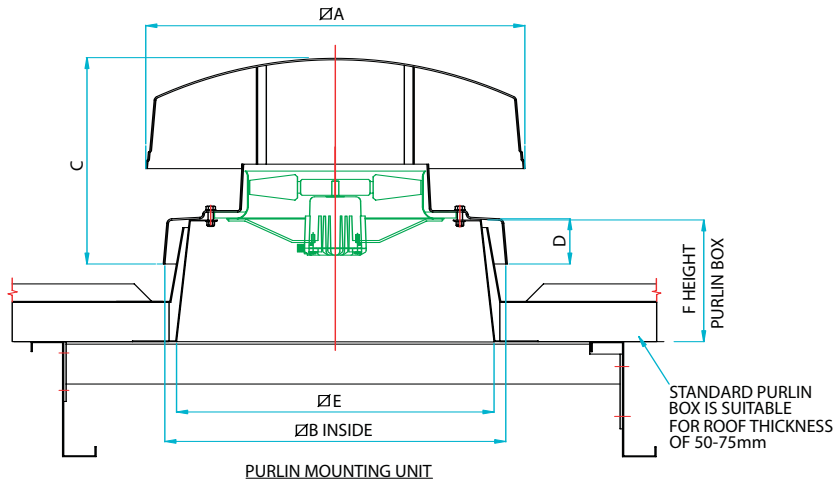
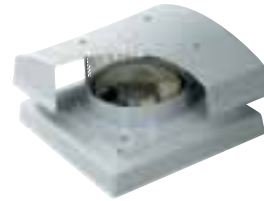
**Full accessory range** - Backdraught shutters, bird guards, purlin boxes, drop in silencers, speed controllers, inverters and soaker sheets.

### Typical Applications

Libraries, hospitals, offices, banks, shops, small industrial units and retail parks.

# Skyflow SSF

## Dimensional Data



NOTE: SIZES 250 & 800 PURLIN BOXES ARE STRAIGHT SIDED

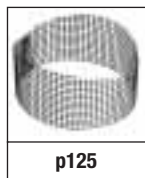
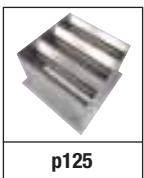
ROOF MOUNTED

Product Code*	A	B	C	D	E	F	G	H	J	K	L	M	N	P	R	Weight kg
SSF25	500	500	310	80	428	240	428	175	542	380	340	440	50	-	-	12
SSF31/35	710	684	365	85	610	240	636	250	750	500	460	610	75	-	-	19
SSF40/45	800	784	445	90	730	250	756	300	870	600	550	700	75	-	-	37
SSF50/56	960	934	510	100	860	250	886	350	1000	745	700	850	75	-	-	53
SSF63/71	1230	1054	590	105	1000	250	1026	435	1140	870	830	980	75	-	-	62
SSF80	1400	1174	670	100	1076	270	1076	470	1190	-	950	1100	75	406	990	64

\* Product code for cowl only without fan.

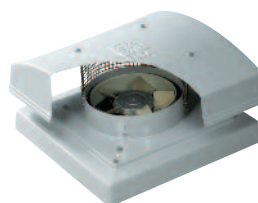
N.B. Maximum weights are inclusive of largest fan but do not include purlin box.

## Accessories



# Skyflow SSF

## Performance & Electrical Data



### SINGLE Phase - 220V-240V / 50Hz

Product Code	Speed r/min	Airflow m <sup>3</sup> /s @ Static Pressure Pa.												Motor Electrical Data			Speed Control		Sound Level dBA @ 3m
		0	10	20	30	40	50	60	80	100	120	140	160	FLC Amps	SC Amps	Output Watts	Electronic	Transformer	
SSF25/4-1	1455	0.26	0.24	0.23	0.21	0.19	0.18	0.15	0.12					0.90	1.45	0.09	EL31TK	TC12	43
SSF31/4-1	1390	0.50	0.48	0.46	0.43	0.41	0.38	0.35	0.28	0.19				0.90	1.45	0.09	EL31TK	TC12	46
SSF35/4-1	1330	0.65	0.62	0.60	0.57	0.54	0.50	0.47	0.39	0.30	0.21			0.90	1.45	0.09	EL31TK	TC12	53
SSF40/4-1	1375	1.09	1.06	1.02	0.99	0.96	0.92	0.89	0.80	0.67	0.48	0.37		1.80	3.60	0.25	EL31TK	TC14	54
SSF45/6-1	850	0.86	0.80	0.72	0.64	0.55	0.44	0.32	0.17					1.05	2.00	0.12	EL31TK	TC12	50
SSF45/4-1	1300	1.32	1.28	1.24	1.20	1.16	1.11	1.06	0.95	0.82	0.63	0.50		1.80	3.60	0.25	EL31TK	TC14	58
SSF50/6-1	860	1.22	1.15	1.09	1.03	0.96	0.88	0.77	0.46	0.33	0.25			1.55	3.50	0.18	EL31TK	TC14	52
SSF50/4-1	1350	1.88	1.83	1.79	1.74	1.70	1.65	1.61	1.51	1.42	1.31	1.20		3.60	10.8	0.55	EL61TK	TC18	60
SSF56/6-1	875	1.69	1.64	1.58	1.53	1.47	1.40	1.30	0.93	0.76	0.65			2.20	5.50	0.25	EL31TK	TC14	56
SSF56/4-1	1350	2.45	2.39	2.33	2.28	2.22	2.17	2.11	1.99	1.84	1.56	1.18		4.90	15.0	0.75	EL61TK	TC18	63
SSF63/6-1	850	2.40	2.35	2.29	2.22	2.16	2.09	2.02	1.84	1.53	1.17	1.01		6.00	12.6	0.55	EL101	TC18	59
SSF63/4-1	1310	3.50	3.43	3.36	3.29	3.21	3.12	3.03	2.84	2.62	2.36	2.04	1.64	7.90	19.8	1.10	-	TC110	67

N.B. Cowls can be ordered without fans, please refer to dimensional data for product code.

Sound levels are average spherical free field values at 50% peak pressure for comparative purposes only.

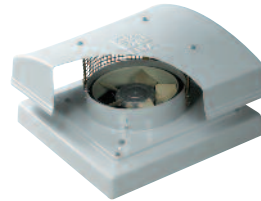
## Silencer Data

Product Code	Silencer Attenuation & Pressure Drop Data					
	600L		900L		1200L	
	dBA	ΔP Pa	dBA	ΔP Pa	dBA	ΔP Pa
SSF25/4-1	-14	6	-17	7	-20	9
SSF31/4-1	-12	9	-15	11	-18	13
SSF35/4-1	-13	8	-17	11	-20	13
SSF40/4-1	-12	16	-17	20	-20	24
SSF45/6-1	-12	4	-17	5	-20	6
SSF45/4-1	-13	15	-18	18	-21	22
SSF50/6-1	-8	5	-13	6	-14	8
SSF50/4-1	-9	23	-14	29	-15	34
SSF56/6-1	-10	10	-16	12	-17	15
SSF56/4-1	-11	25	-16	31	-19	38
SSF63/6-1	-9	14	-14	17	-16	21
SSF63/4-1	-10	30	-16	38	-18	45

ROOF MOUNTED

# Skyflow SSF

## Performance & Electrical Data



### THREE Phase - 380V-415V / 50Hz

Product Code	Speed r/min	Airflow m <sup>3</sup> /s @ Static Pressure Pa.													Motor Electrical Data			Speed Control	Sound Level dBA @ 3m
		0	10	20	30	40	50	60	80	100	120	140	160	200	FLC Amps	SC Amps	Output Watts	Trans-former	
SSF31/4-3	1390	0.50	0.48	0.46	0.43	0.41	0.38	0.35	0.28	0.19					0.50	1.15	0.12	TC33	46
SSF35/4-3	1330	0.65	0.62	0.60	0.57	0.54	0.5	0.47	0.39	0.3	0.21				0.50	1.15	0.12	TC33	53
SSF40/4-3	1375	1.09	1.06	1.02	0.99	0.96	0.92	0.89	0.8	0.67	0.48	0.37			1.40	4.50	0.37	TC33	54
SSF45/6-3	850	0.86	0.79	0.73	0.66	0.58	0.50	0.39	0.14						0.68	1.70	0.18	TC33	50
SSF45/4-3	1300	1.30	1.26	1.22	1.18	1.14	1.09	1.05	0.95	0.82	0.65	0.51			1.40	4.50	0.37	TC33	58
SSF50/6-3	830	1.18	1.11	1.05	0.99	0.92	0.84	0.74	0.49	0.35					0.94	2.40	0.25	TC33	52
SSF50/4-3	1320	1.52	1.78	1.74	1.70	1.65	1.61	1.56	1.47	1.37	1.26	1.12	0.9		1.75	6.20	0.55	TC33	60
SSF56/6-3	830	1.64	1.58	1.53	1.47	1.41	1.34	1.23	0.92	0.76	0.65				0.94	2.40	0.25	TC33	56
SSF56/4-3	1320	2.39	2.34	2.29	2.23	2.18	2.12	2.06	1.93	1.77	1.43	1.19			2.00	7.50	0.75	TC35	63
SSF63/6-3	850	2.36	2.29	2.22	2.16	2.10	2.04	1.97	1.78	1.47	1.17				1.90	5.80	0.55	TC35	59
SSF63/4-3	1320	3.80	3.75	3.71	3.76	3.63	3.59	3.54	3.45	3.36	3.27	3.18	3.08	2.86	4.30	15.5	1.5	TC35	69
SSF71/6S-3	720	3.10	2.97	2.83	2.68	2.53	2.38	2.22							1.50	5.40	0.50	TC33	55
SSF71/6D-3	880	3.50	3.41	3.32	3.21	3.10	2.97	2.83	2.52						3.40	12.3	1.1	TC35	60
SSF71/4S-3	1380	4.77	4.66	4.55	4.44	4.32	4.19	4.06	3.78	3.45	3.06	2.61	2.18		4.30	15.5	1.5	TC35	69
SSF80/6S-3	620	3.85	3.69	3.51	3.33	3.14	2.95	2.75							1.50	5.40	0.50	TC33	52
SSF80/6D-3	820	4.72	4.61	4.49	4.36	4.21	4.06	3.90	3.59						3.40	12.3	1.1	TC35	67

N.B. Cowls can be ordered without fans, please refer to dimensional data for product code.

Sound levels are average spherical free field values at 50% peak pressure for comparative purposes only.

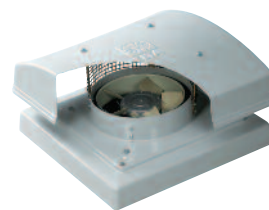
## Silencer Data

Product Code	Silencer Attenuation & Pressure Drop Data					
	600L		900L		1200L	
	dBA	ΔP Pa	dBA	ΔP Pa	dBA	ΔP Pa
SSF31/4-3	-12	9	-15	11	-18	13
SSF35/4-3	-13	8	-17	11	-20	13
SSF40/4-3	-12	16	-17	20	-20	24
SSF45/6-3	-12	5	-17	6	-20	7
SSF45/4-3	-13	14	-18	18	-21	21
SSF50/6-3	-8	6	-13	8	-14	10
SSF50/4-3	-9	20	-14	25	-15	30
SSF56/6-3	-10	9	-16	11	-17	14
SSF56/4-3	-11	24	-16	30	-19	36
SSF63/6-3	-9	13	-14	17	16	20
SSF63/4-3	-10	42	-16	53	-18	63
SSF71/6S-3	-10	16	-16	21	-18	25
SSF71/6D-3	-10	22	-16	28	-18	33
SSF71/4S-3	-10	32	-17	41	-19	48
SSF80/6S-3	-9	16	-15	20	-17	23
SSF80/6D-3	-8	25	-14	-31	-17	37

ROOF MOUNTED

# Skyflow SSF

## Sound Data



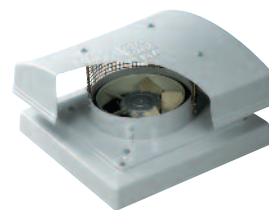
### SSF - SINGLE Phase

Product Code	63Hz	125Hz	250Hz	500Hz	1kHz	2kHz	4kHz	8kHz	dBA @ 3m
SSF25/4-1	68	67	65	60	58	54	53	40	43
SSF31/4-1	69	69	64	65	62	58	53	50	46
SSF35/4-1	72	74	69	71	69	66	61	58	53
SSF40/4-1	73	75	70	72	69	68	66	60	54
SSF45/4-1	75	77	75	75	74	71	68	60	58
SSF50/4-1	79	84	84	77	74	72	68	64	60
SSF56/4-1	80	84	82	80	79	75	73	67	63
SSF63/4-1	81	83	87	86	81	79	77	72	67
SSF25/4-1B	68	67	65	60	58	54	53	40	43
SSF31/4-1B	69	69	64	65	62	58	53	50	46
SSF35/4-1B	72	74	69	71	69	66	61	58	53
SSF40/4-1B	73	75	70	72	69	68	66	60	54
SSF45/4-1B	75	77	75	75	74	71	68	60	58
SSF50/4-1B	79	84	84	77	74	72	68	64	60
SSF56/4-1B	80	84	82	80	79	75	73	67	63
SSF63/4-1B	81	83	87	86	81	79	77	72	67
SSF25/4-1S	68	67	65	60	58	54	53	40	43
SSF31/4-1S	69	69	64	65	62	58	53	50	46
SSF35/4-1S	72	74	69	71	69	66	61	58	53
SSF40/4-1S	73	75	70	72	69	68	66	60	54
SSF45/4-1S	75	77	75	75	74	71	68	60	58
SSF50/4-1S	79	84	84	77	74	72	68	64	60
SSF56/4-1S	80	84	82	80	79	75	73	67	63
SSF63/4-1S	81	83	87	86	81	79	77	72	67
SSF25/4-1BS	68	67	65	60	58	54	53	40	43
SSF31/4-1BS	69	69	64	65	62	58	53	50	46
SSF35/4-1BS	72	74	69	71	69	66	61	58	53
SSF40/4-1BS	73	75	70	72	69	68	66	60	54
SSF45/4-1BS	75	77	75	75	74	71	68	60	58
SSF50/4-1BS	79	84	84	77	74	72	68	64	60
SSF56/4-1BS	80	84	82	80	79	75	73	67	63
SSF63/4-1BS	81	83	87	86	81	79	77	72	67
SSF45/6-1	69	68	70	68	66	62	58	49	50
SSF50/6-1	70	76	78	67	65	64	58	53	52
SSF56/6-1	76	78	77	74	72	69	60	56	56
SSF63/6-1	76	80	82	77	74	72	67	63	59
SSF45/6-1B	69	68	70	68	66	62	58	49	50
SSF50/6-1B	70	76	78	67	65	64	58	53	52
SSF56/6-1B	76	78	77	74	72	69	60	56	56
SSF63/6-1B	76	80	82	77	74	72	67	63	59
SSF45/6-1S	69	68	70	68	66	62	58	49	50
SSF50/6-1S	70	76	78	67	65	64	58	53	52
SSF56/6-1S	76	78	77	74	72	69	60	56	56
SSF63/6-1S	76	80	82	77	74	72	67	63	59
SSF45/6-1BS	69	68	70	68	66	62	58	49	50
SSF50/6-1BS	70	76	78	67	65	64	58	53	52
SSF56/6-1BS	76	78	77	74	72	69	60	56	56
SSF63/6-1BS	76	80	82	77	74	72	67	63	59

Acoustic data: tests and preparation of data have been carried out in accordance with BS848 Part 2(1985). The In-duct Sound Power Level Spectra are in dB re 1pW. The overall A-Scale sound pressure level is at a distance of three metres with spherical propagation. It is expressed in dB re 20uPa and is presented for comparative purposes only as in practice the semi-reverberant nature of any installation and directivity effects can give a different level.

# Skyflow SSF

## Sound Data



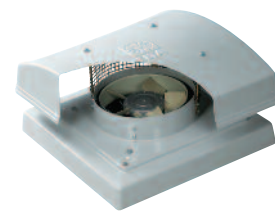
### SSF - THREE Phase

Product Code	63Hz	125Hz	250Hz	500Hz	1kHz	2kHz	4kHz	8kHz	dBA @ 3m
SSF31/4-3	69	69	64	65	62	58	53	50	46
SSF35/4-3	72	74	69	71	69	66	61	58	53
SSF40/4-3	73	75	70	72	69	68	66	60	54
SSF45/4-3	75	77	75	75	74	71	68	60	58
SSF50/4-3	79	84	84	77	74	72	68	64	60
SSF56/4-3	80	84	82	80	79	75	73	67	63
SSF63/4-3	83	85	89	88	83	81	79	74	69
SSF71/4S-3	81	88	85	85	86	83	79	75	69
SSF31/4-3B	69	69	64	65	62	58	53	50	46
SSF35/4-3B	72	74	69	71	69	66	61	58	53
SSF40/4-3B	73	75	70	72	69	68	66	60	54
SSF45/4-3B	75	77	75	75	74	71	68	60	58
SSF50/4-3B	79	84	84	77	74	72	68	64	60
SSF56/4-3B	80	84	82	80	79	75	73	67	63
SSF63/4-3B	83	85	89	88	83	81	79	74	69
SSF71/4S-3B	81	88	85	85	86	83	79	75	69
SSF31/4-3S	69	69	64	65	62	58	53	50	46
SSF35/4-3S	72	74	69	71	69	66	61	58	53
SSF40/4-3S	73	75	70	72	69	68	66	60	54
SSF45/4-3S	75	77	75	75	74	71	68	60	58
SSF50/4-3S	79	84	84	77	74	72	68	64	60
SSF56/4-3S	80	84	82	80	79	75	73	67	63
SSF63/4-3S	83	85	89	88	83	81	79	74	69
SSF71/4S-3S	81	88	85	85	86	83	79	75	69
SSF31/4-3BS	69	69	64	65	62	58	53	50	46
SSF35/4-3BS	72	74	69	71	69	66	61	58	53
SSF40/4-3BS	73	75	70	72	69	68	66	60	54
SSF45/4-3BS	75	77	75	75	74	71	68	60	58
SSF50/4-3BS	79	84	84	77	74	72	68	64	60
SSF56/4-3BS	80	84	82	80	79	75	73	67	63
SSF63/4-3BS	83	85	89	88	83	81	79	74	69
SSF71/4S-3BS	81	88	85	85	86	83	79	75	69
SSF45/6-3	69	68	70	68	66	62	58	49	50
SSF50/6-3	70	76	78	67	65	64	58	53	52
SSF56/6-3	76	78	77	74	72	69	60	56	56
SSF63/6-3	76	80	82	77	74	72	67	63	59
SSF71/6D-3	77	81	80	76	77	74	70	66	61
SSF80/6D-3	83	86	85	83	84	81	77	70	67
SSF45/6-3B	69	68	70	68	66	62	58	49	50
SSF50/6-3B	70	76	78	67	65	64	58	53	52
SSF56/6-3B	76	78	77	74	72	69	60	56	56
SSF63/6-3B	76	80	82	77	74	72	67	63	59
SSF71/6D-3B	77	81	80	76	77	74	70	66	61
SSF80/6D-3B	83	86	85	83	84	81	77	70	67

Acoustic data: tests and preparation of data have been carried out in accordance with BS848 Part 2(1985). The In-duct Sound Power Level Spectra are in dB re 1pW. The overall A-Scale sound pressure level is at a distance of three metres with spherical propagation. It is expressed in dB re 20uPa and is presented for comparative purposes only as in practice the semi-reverberant nature of any installation and directivity effects can give a different level.

# Skyflow SSF

## Sound Data

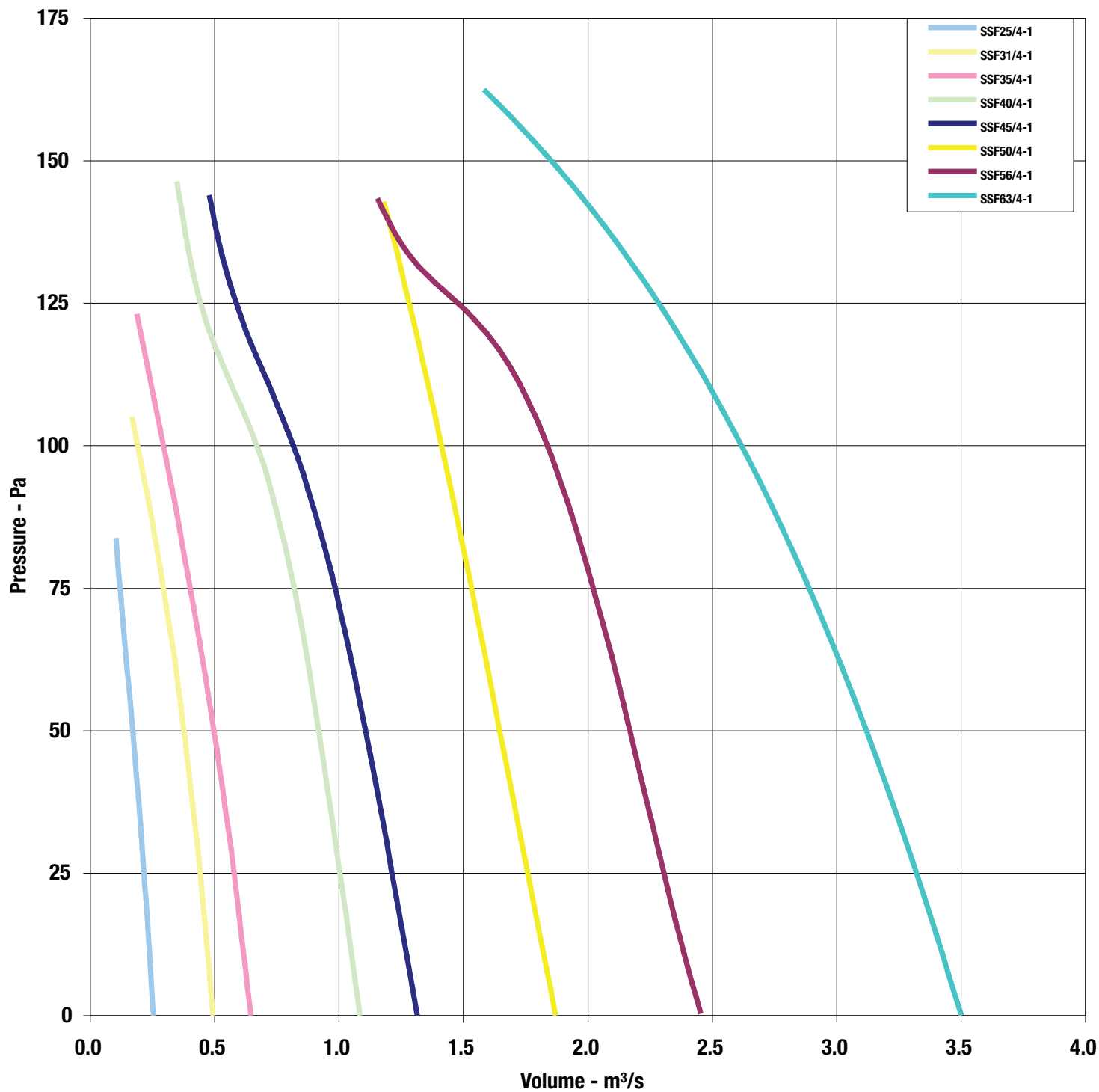


## SSF - THREE Phase

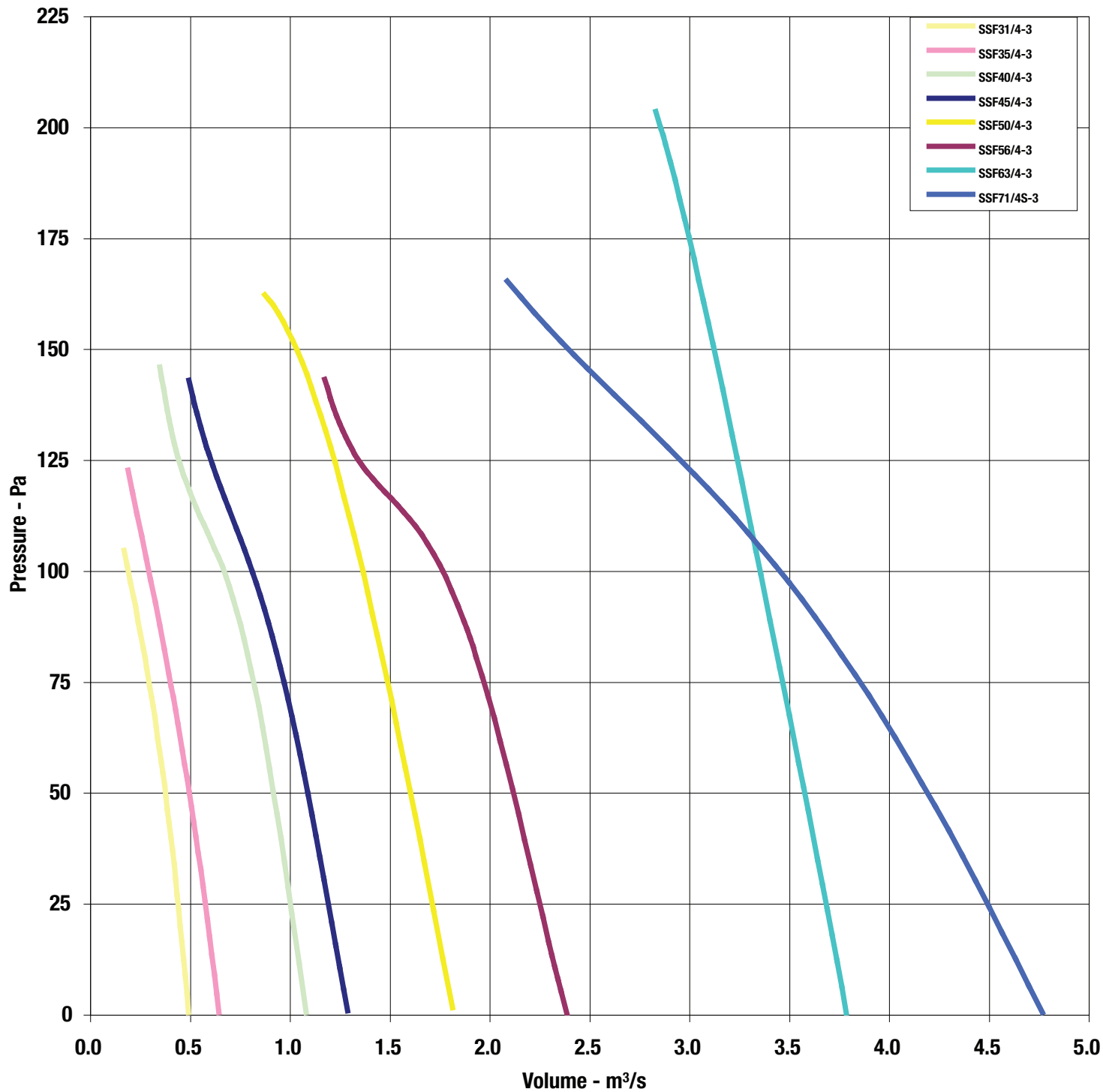
Product Code	63Hz	125Hz	250Hz	500Hz	1kHz	2kHz	4kHz	8kHz	dBA @ 3m
SSF45/6-3S	69	68	70	68	66	62	58	49	50
SSF50/6-3S	70	76	78	67	65	64	58	53	52
SSF56/6-3S	76	78	77	74	72	69	60	56	56
SSF63/6-3S	76	80	82	77	74	72	67	63	59
SSF71/6D-3S	77	81	80	76	77	74	70	66	61
SSF80/6D-3S	83	86	85	83	84	81	77	70	67
SSF45/6-3BS	69	68	70	68	66	62	58	49	50
SSF50/6-3BS	70	76	78	67	65	64	58	53	52
SSF56/6-3BS	76	78	77	74	72	69	60	56	56
SSF63/6-3BS	76	80	82	77	74	72	67	63	59
SSF71/6D-3BS	77	81	80	76	77	74	70	66	61
SSF80/6D-3BS	83	86	85	83	84	81	77	70	67
SSF71/6S-3	74	77	75	71	72	69	64	59	56
SSF80/6S-3	73	75	72	68	69	66	60	55	53
SSF71/6S-3B	74	77	75	71	72	69	64	59	56
SSF80/6S-3B	73	75	72	68	69	66	60	55	53
SSF71/6S-3S	74	77	75	71	72	69	64	59	56
SSF80/6S-3S	73	75	72	68	69	66	60	55	53
SSF71/6S-3BS	74	77	75	71	72	69	64	59	56
SSF80/6S-3BS	73	75	72	68	69	66	60	55	53

Acoustic data: tests and preparation of data have been carried out in accordance with BS848 Part 2(1985). The In-duct Sound Power Level Spectra are in dB re 1pW. The overall A-Scale sound pressure level is at a distance of three metres with spherical propagation. It is expressed in dB re 20uPa and is presented for comparative purposes only as in practice the semi-reverberant nature of any installation and directivity effects can give a different level.

### 4 Pole 1Ph Range



### 4 Pole 3Ph Range

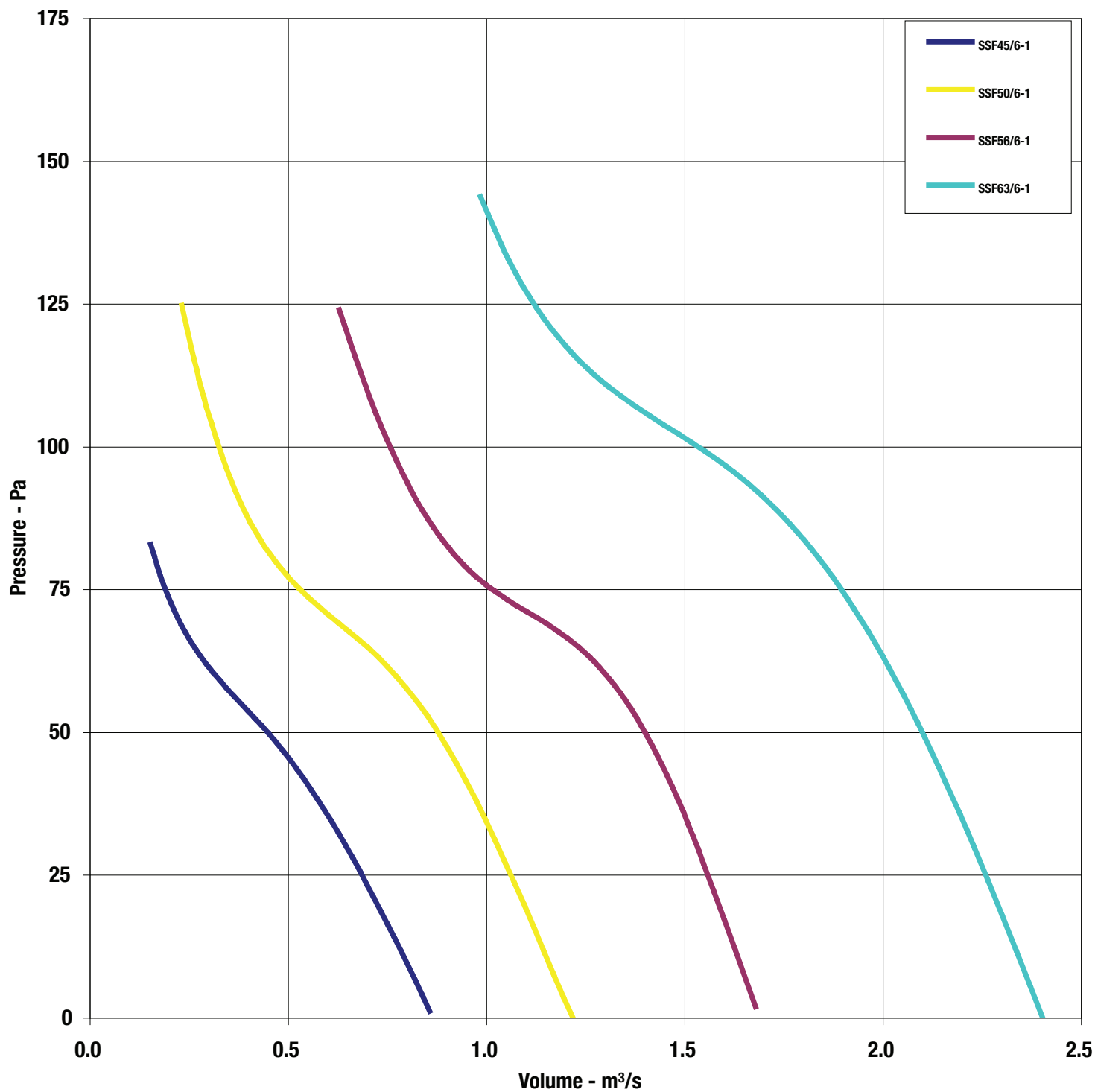


# Skyflow SSF

## Performance Curves



### 6 Pole 1Ph Range

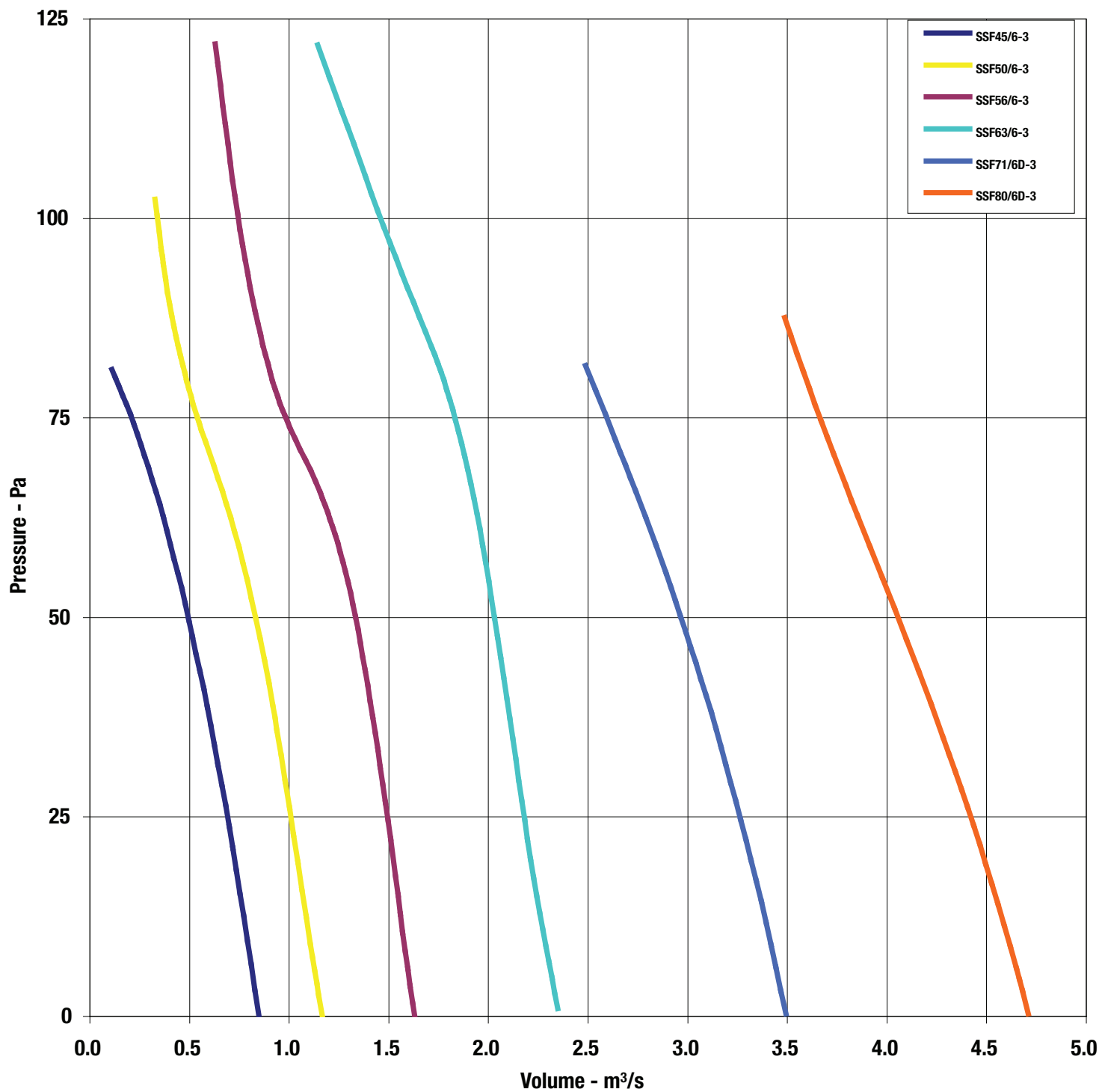


# Skyflow SSF

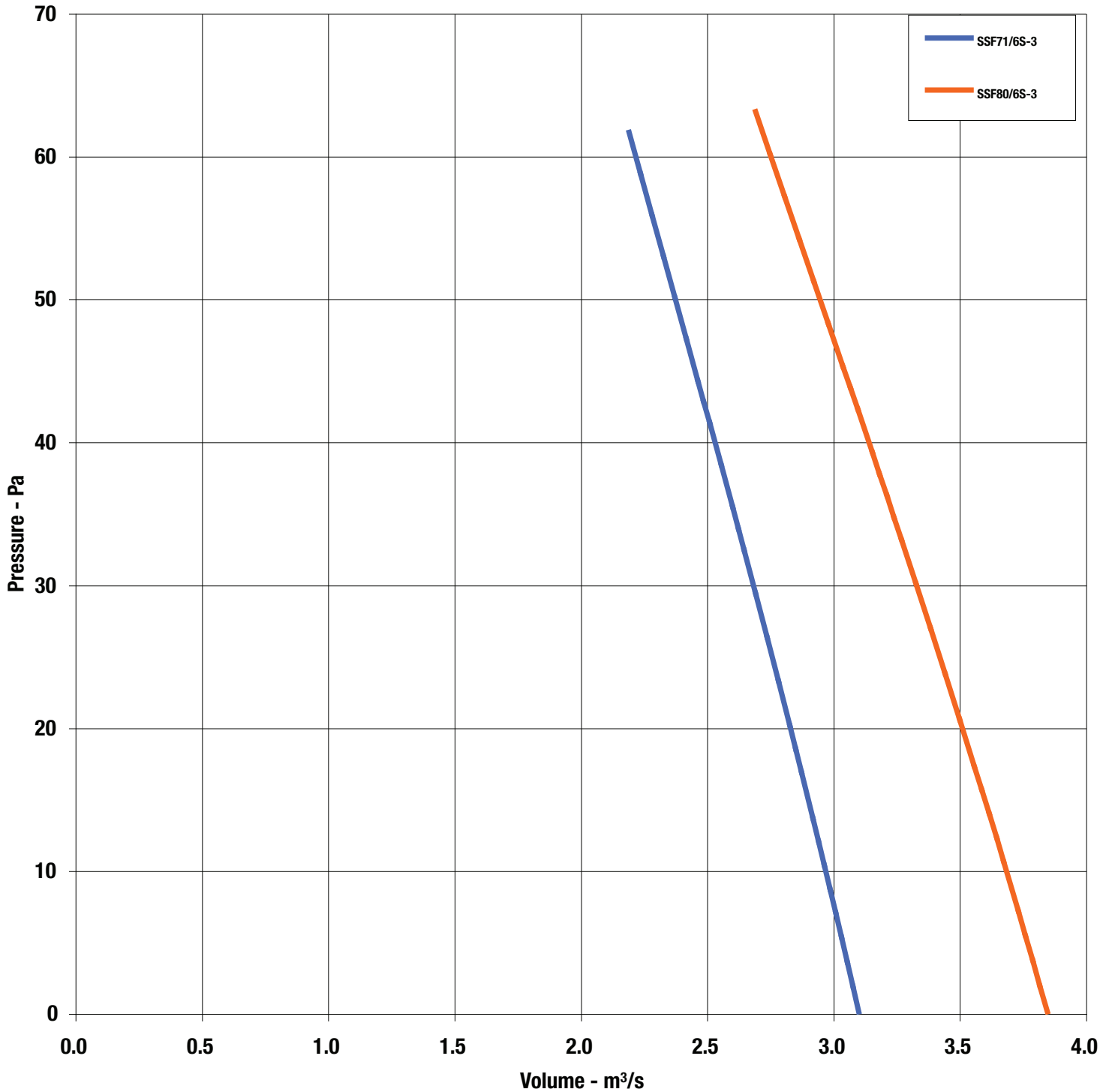
## Performance Curves



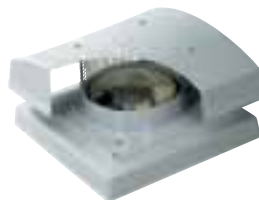
### 6 Pole 3Ph Range



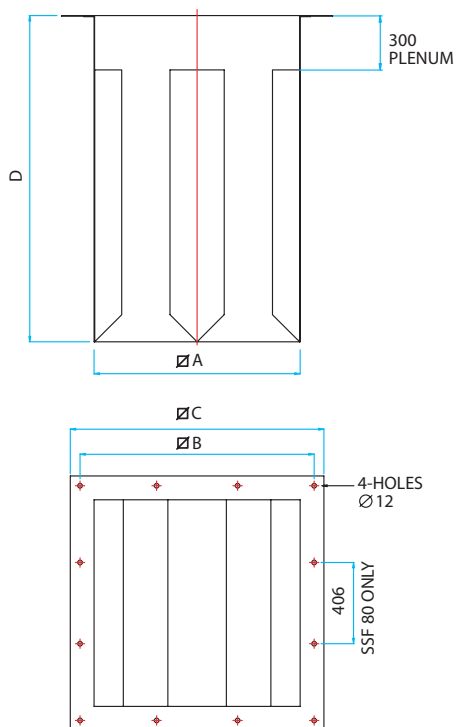
### SSF71/6S-3 & SSF80/6S-3



# Skyflow SSF Accessories



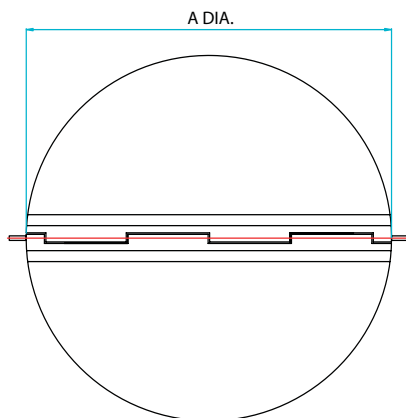
## Drop In Silencers



Unit Size	Product Code	A	B	C	D	Airways	Weight kg
SSF25	068-SFDS-0600-E	320	380	440	600	2	10
	068-SFDS-0900-E				900		14
	068-SFDS-1200-E				1200		19
SSF31/35	068-SFDS-0600-A	440	500	600	600	2	15
	068-SFDS-0900-A				900		20
	068-SFDS-1200-A				1200		25
SSF40/45	068-SFDS-0600-B	530	600	650	600	2	17
	068-SFDS-0900-B				900		24
	068-SFDS-1200-B				1200		32
SSF50/56	068-SFDS-0600-C	670	745	800	600	2	23
	068-SFDS-0900-C				900		34
	068-SFDS-1200-C				1200		43
SSF63/71	068-SFDS-0600-D	810	870	940	600	3	27
	068-SFDS-0900-D				900		41
	068-SFDS-1200-D				1200		50
SSF80	068-SFDS-0600-F	830	990	1080	600	3	34
	068-SFDS-0900-F				900		50
	068-SFDS-1200-F				1200		65

- For information on silencers and an explanation of the data, see p107
- Baffle type silencers
- Galvanised steel casing with perforated steel lining and baffles
- Infill is glass tissue faced high density mineral wool

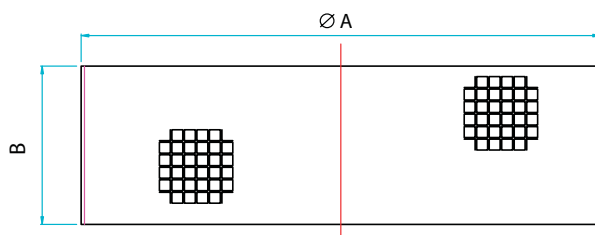
## Backdraught Shutters



Product Code	A	Weight kg
039-SFSV-25	290	0.25
039-SFSV-31/35	382	0.28
039-SFSV-40/45	482	0.52
039-SFSV-50/56	598	0.70
039-SFSV-63/71	744	1.03
039-SFSV-80	844	1.62

- Prevents backdraught and reduces heat loss from building
- Finished in white A.B.S.

## Bird Guard

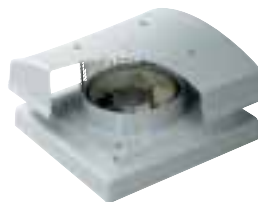


Factory fitted options on request, add suffix to fan code  
**S** - Shutter  
**B** - Birdguard  
**BS** - Birdguard + Shutter

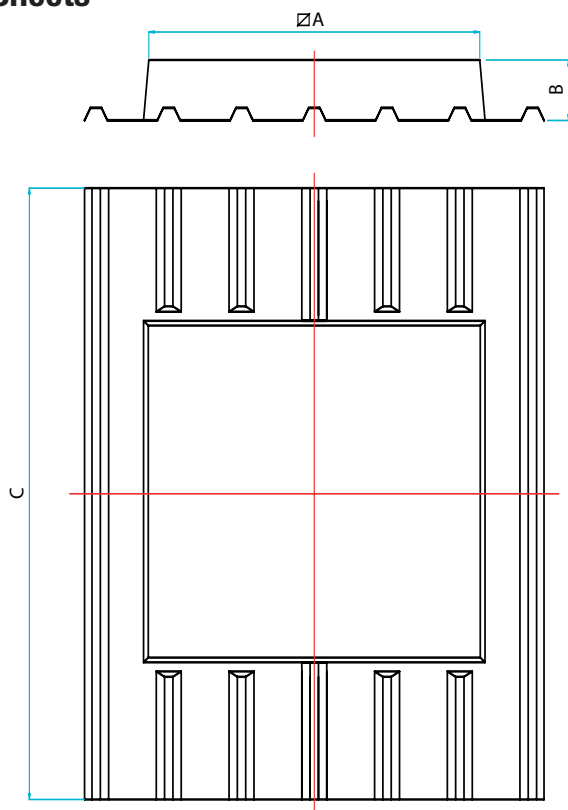
Product Code	A	B	Weight kg
039-SFHBG-25	314	160	1
039-SFHBG-31/35	398	190	1
039-SFHBG-40/45	504	250	1
039-SFHBG-50/56	624	310	2
039-SFHBG-63/71	772	350	2
039-SFHBG-80	876	420	3

ROOF MOUNTED

# Skyflow SSF Accessories



## Soaker Sheets

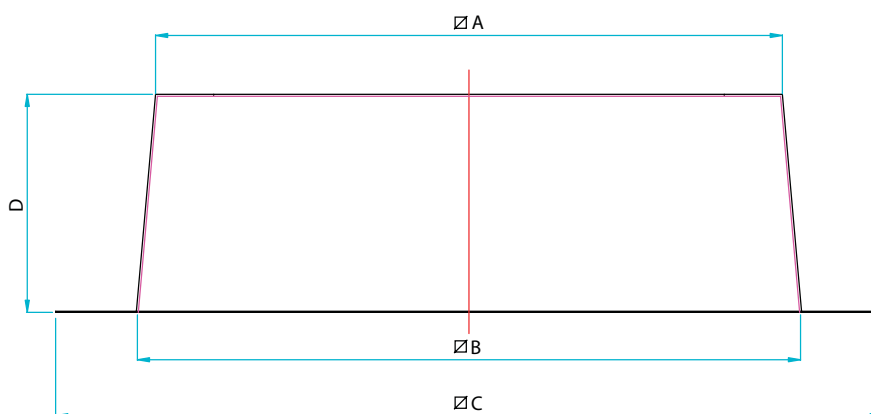


- Fire retardant glass reinforced plastic (GRP)
- UV stabilised

Product Code	A	B	C
039S-SP-25***	420	152	1830
039S-SP-31/35***	600	152	1830
039S-SP-40/45***	730	165	1830
039S-SP-50/56***	890	165	1830
039S-SP-63/71***	1010	165	1830
039S-SP-80***	1118	178	1830

\*\*\* Add soaker panel profile to part code  
Weights dependant on profile

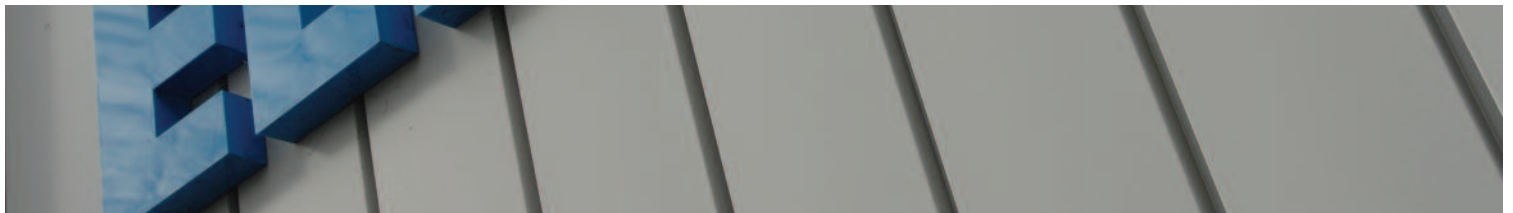
## Purlin Boxes



Product Code	A	B	C	D	Weight kg
039B-PB25	430	428	582	240	6
039B-PB31/35	570	610	790	240	9
039B-PB40/45	690	730	970	250	11
039B-PB50/56	820	860	1040	250	13
039B-PB63/71	960	1000	1180	250	15
039B-PB80	1080	1076	1230	270	17

- Pre-galvanised mild steel

ROOF MOUNTED



**Elta Fans Ltd - Applied Technology**

17 Barnes Wallis Road,  
Segensworth East Industrial Estate,  
Fareham, Hampshire, P015 5ST, United Kingdom.

**Visit:** [eltafans.com](http://eltafans.com)

**e-mail:** [mailbox@eltafans.co.uk](mailto:mailbox@eltafans.co.uk)

**Applied Technology:**

**Tel:** +44 (0) 1489 566500

**Fax:** +44 (0) 1489 566555

**Building Services:**

**Tel:** +44 (0) 1384 275800

**Fax:** +44 (0) 1384 275810

**Export:**

**Tel:** +44 (0) 1489 566500

**Fax:** +44 (0) 1489 566555